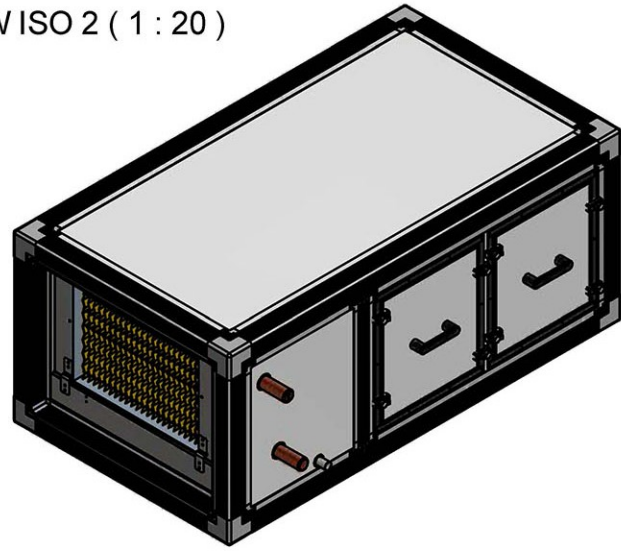
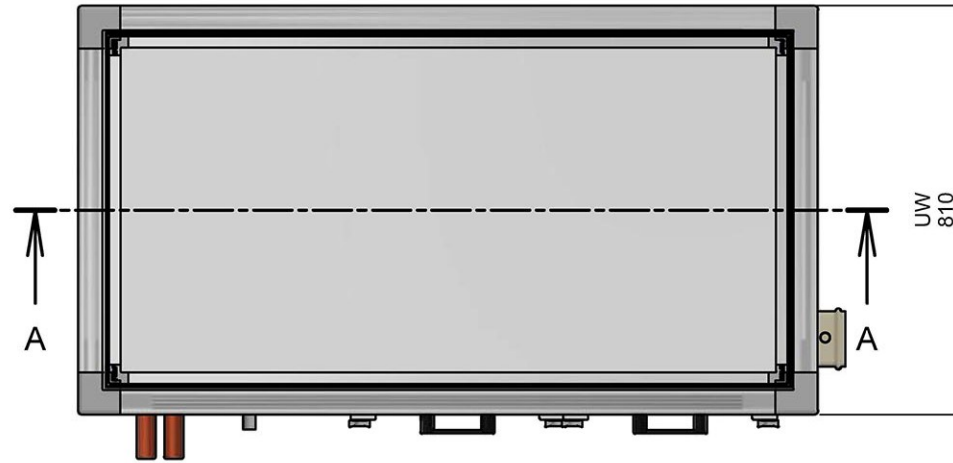
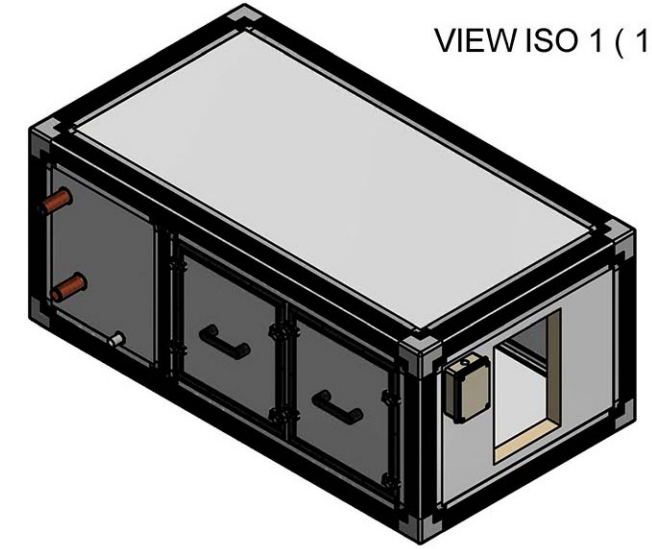


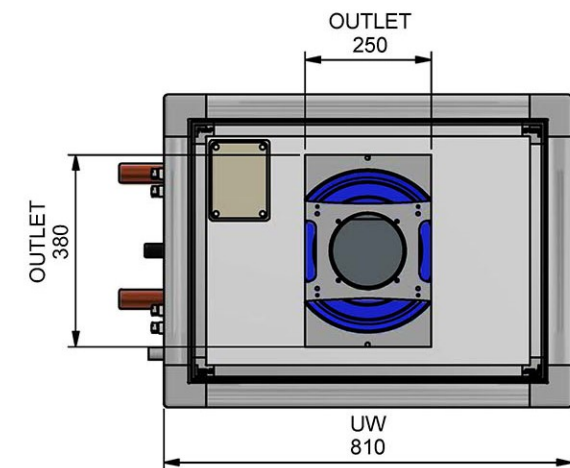
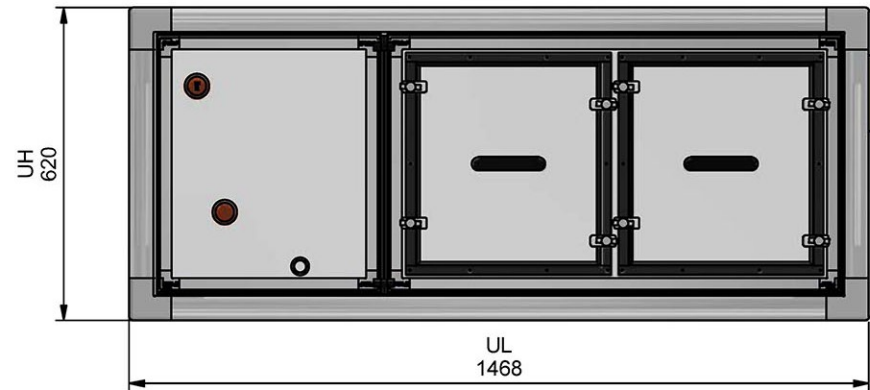
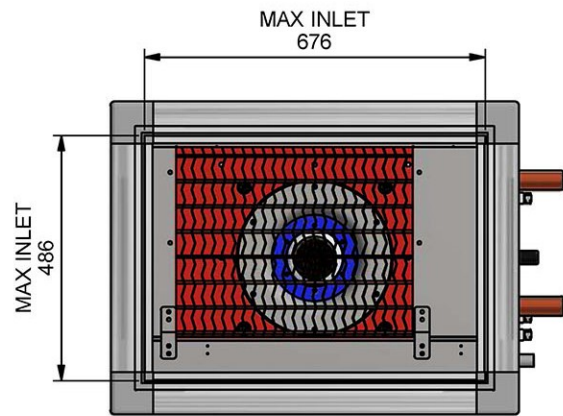
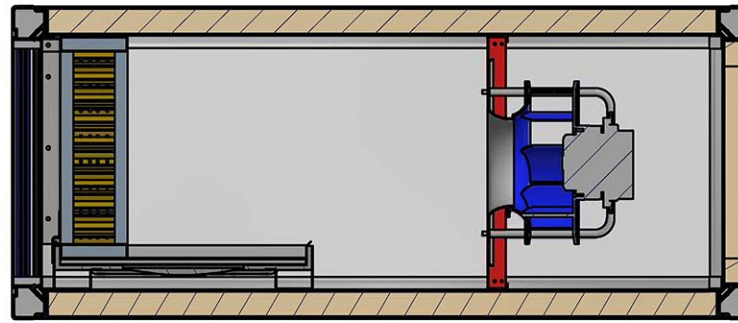
VIEW ISO 2 ( 1 : 20 )



VIEW ISO 1 ( 1 : 20 )



A-A ( 1 : 15 )



MAX S/A (HORIZONTAL) : 380 X 300MM  
 MAX S/A (VERTICAL) : 320 X 585MM

UNLESS OTHERWISE SPECIFIED  
 DIMENSIONS ARE IN MILLIMETERS  
 BREAK AND DEBUR ALL SHARP EDGES

3rd ANGLE  
 PROJECTION

DO NOT SCALE DRAWING

Rev	By	Date	Description
/00	YS	21/03/2017	Initial Released

Fantech Pty Ltd. © A.C.N. 005 434 024  
 45 NESTOR DRIVE, MEADOWBROOK, QUEENSLAND, AUSTRALIA, 4131  
 TELEPHONE: (07) 32 999 888 FACSIMILE: (07) 32 999 800

DRAWN: Toh    DATE: 21/03/2017  
 CHKED: Sean    DATE: --  
 APPRD: JT    DATE: --

DRAWING NO: 868-8010-0102    REV: /00    SCALE: 1 : 15    SIZE: A3

**General Layout**  
**ME2B-L102/G3-FCO,**  
**GR28(115667)X1**